

haute kitchens[®]
A u s t r a l i a

Presentation Kitchen & WIR Sample
Adriana Rodriguez

content

Kitchen Sample provided	3
Proposed changes	4
Drawings	5 - 10
Material Selection	11
3D Kitchen Visuals	12 - 14
WIR Sample provided	15
Proposed Adaptations	16
Drawings	17 - 20
Material Selection	21
3D Kitchen Visuals	22-24

Hardware:

- Hinges - Blum
- Lift & Flap System - Blum Aventos HF & HK
- Drawer System - Blum TANDEMBOX

Appliances & Model Codes:

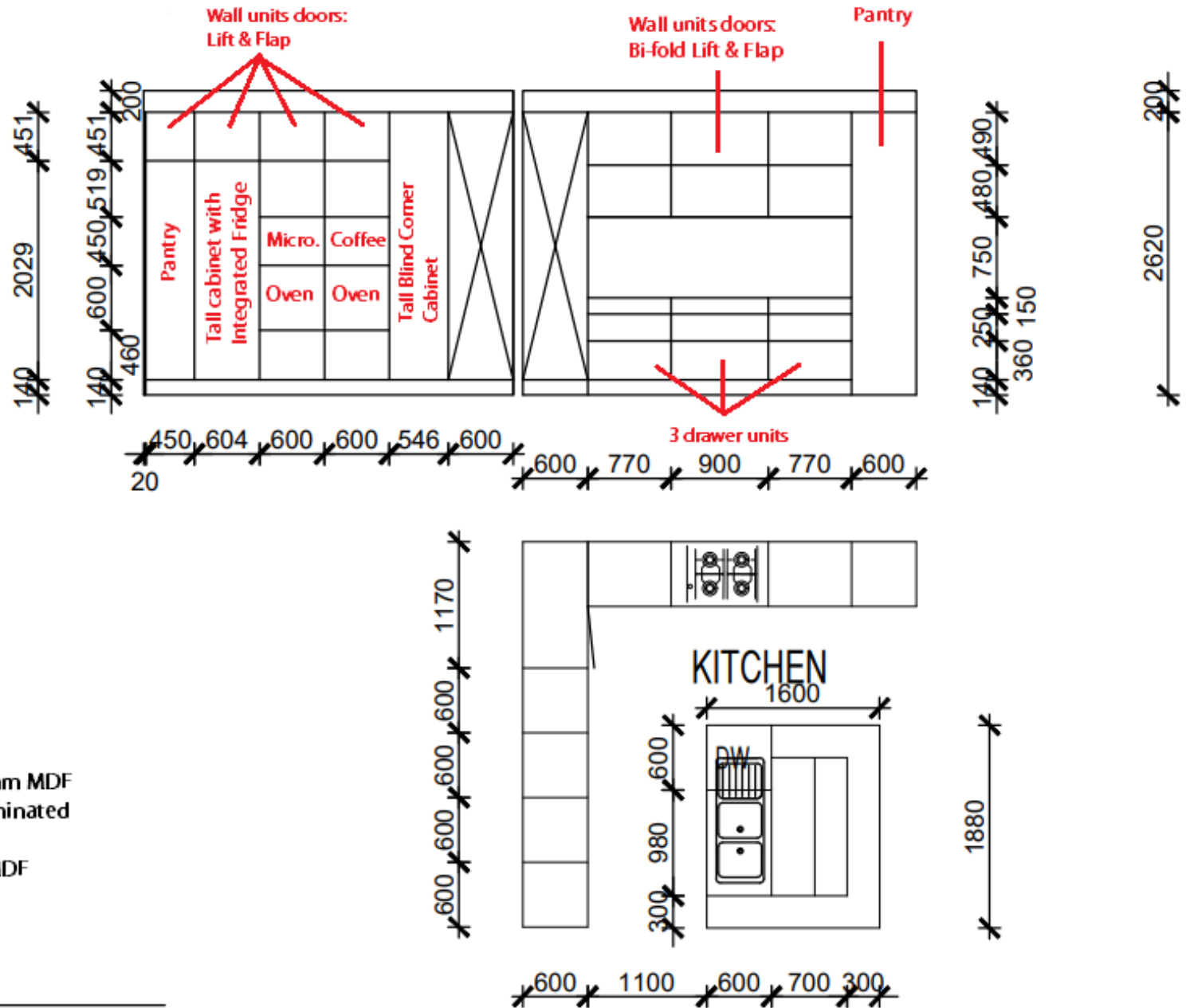
- Rangehood: PUM901X
- Cooktop: GCTEK9020
- Dishwasher: DWAFI6214
- Coffee Machine: CMS4601NR
- Oven: SFPA6604NR
- Micro. Oven: SFA4603MCNR
- Fridge/Freezer: FNS374021

Materials & Finishes:

- Base Cabinets - Oxford Matt Painted 18mm MDF
- Overhead Cabinets - Stone Grey Matt Laminated 18mm MDF
- Tall Units - Oxford Matt Painted 18mm MDF
- Carcass material = 16mm white HMR

JOINERY

1 : 100



proposed changes

Suggested Fridge/Freezer combination KFNS 37692 iDE-1

Food preparatio area amplified

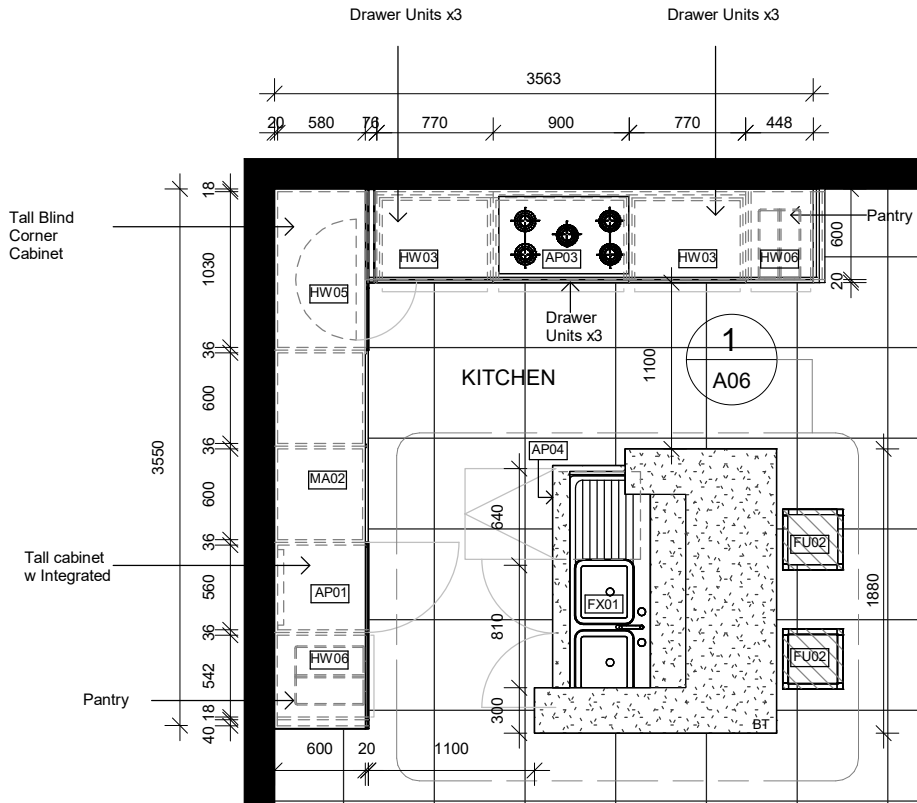
Interior Line NEW BAMBOO TREE

Glosy Copper applied on furniture and lighting features

White / Grey Marble benchtop and splashback

Walnut Timber benchtop and profiles

Zalo double Kitchen sink - Brushed Copper



1 Kitchen Wall Cabinet & Island
FLOOR PLAN 1:50 @A4

LEGEND

Graphic Symbols

- White / Grey Marble
- Existing Structure
- Walnut Timber
- Rectified White Gloss Porcelain Floor Tile
- White / Grey Marble

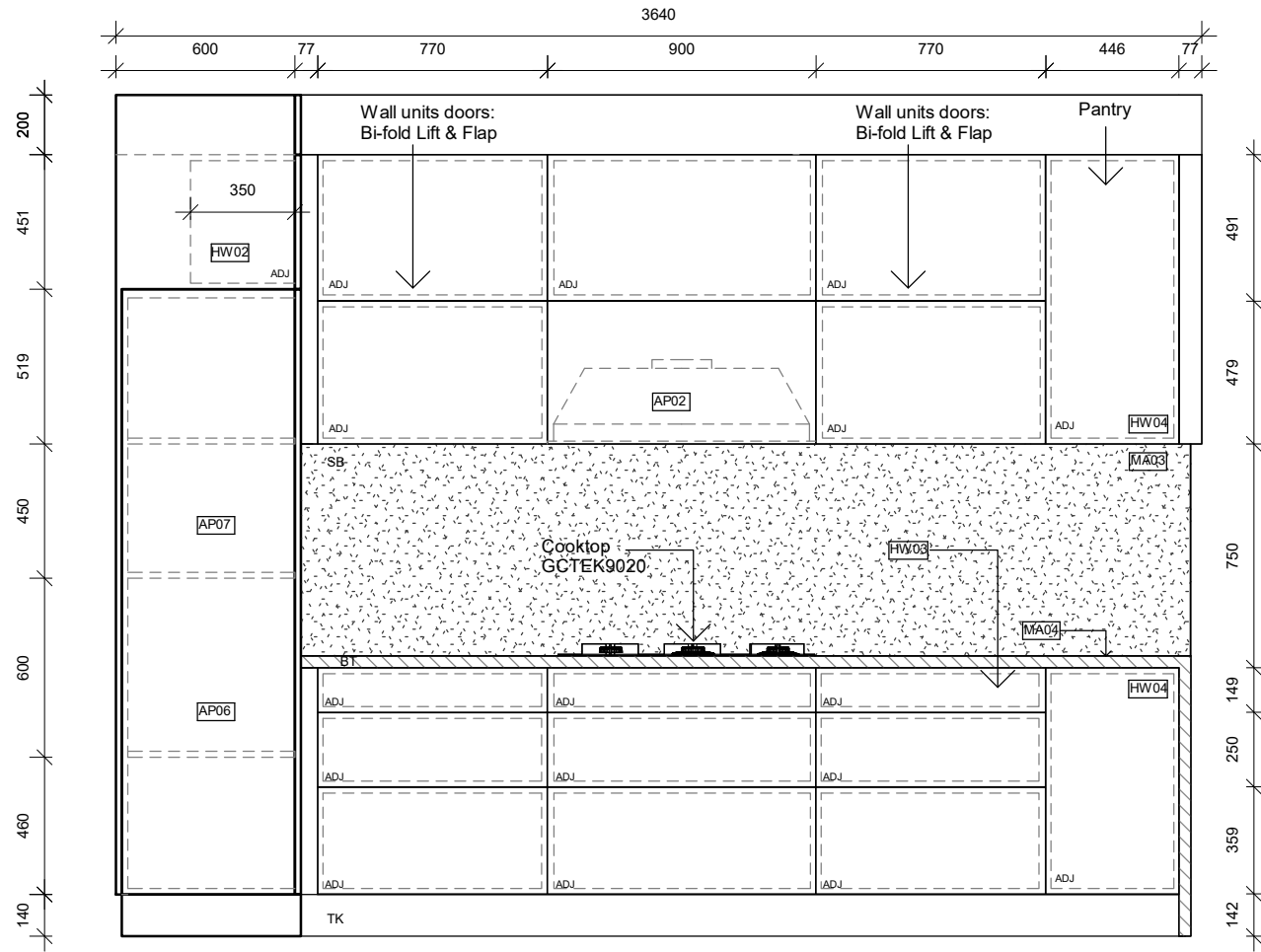
Tag Legend

- AP01 Integrated Fridge/Freezer KFN 37692 IDE
- AP02 Rangehood PUM90 1X
- AP03 Cooktop GCTEK9020
- AP04 Dishwasher DWAFI6214
- AP05 Coffee Machine CMS4601NR
- AP06 Oven SFPA6604NR
- AP07 Micro. Oven SFA4603MCNR
- FU01 Synthetic Japanese Bamboo and Foliage
- FU02 Sling Square Metal Bar Stool, Solid Elm wood Cooper 80cm
- FX01 Zalo Double kitchen sink 855mm – Brushed Copper
- HW01 Hinges - Blum
- HW02 Lift & Flap System- Blum Aventos HF & HK
- HW03 Drawer System - Blum TANDEMBOX
- HW04 Push to open latch, handle-less, kitchen cabinet door
- HW05 Rev-A-Shelf Half-Moon Pivot & Slide for Blind Corner Cabinets
- HW06 Push-in / Pull-out Pantry - Adjustable
- HW07 Height - Internal Unit
- HW07 Bi-fold lift system - Blum AventosHF
- LI01 Copper Diamond wire cage Pendant light 38x38cm
- MA01 Oxford Matt MR E0
- MA02 White carcass 18mm
- MA03 White / Grey Marble benchtop & Splashback
- MA04 OSMO PolyX Semi matt Walnut Timber benchtops
- MA05 Rectified White Gloss Porcelain Floor Tile 600X600mm

Abbreviations

- AP Appliances
- BT Benchtop
- D Door
- EQ Equipment
- FU Furniture
- LI Lighting
- MA Material / Finish
- MDF Medium Density Fibreboard
- PB Plasterboard
- RCP Reflected Ceiling Plan
- SB Splashback
- SS Stainless Steel
- TK Toekicks
- W with

Revisions				Do not scale drawings. Use Figured Dimensions on Site Prior commencement of drawings or fabrication of components. This drawing is copyright and can not be reproduced without written consent.	Client haute kitchens [®] Australia	True North	Project Haute Kitchens Kitchen Sample	Drawing Title Kitchen Floor Plan	Scale 1:50	Drawing No A02	Issue 01
No	Date	Descriptions	Ver App'd								
01	10.03.21	DA DRAWINGS	XX App'd								
Project number 21.001								Drawing Status PRESENTATION DRAWINGS NOT FOR CONSTRUCTION		Date	Issue Date
								Drawn by		LAGR	



LEGEND

Graphic Symbols

- White / Grey Marble
- Existing Structure
- Walnut Timber
- Rectified White Gloss Porcelain Floor Tile
- White / Grey Marble

Tag Legend

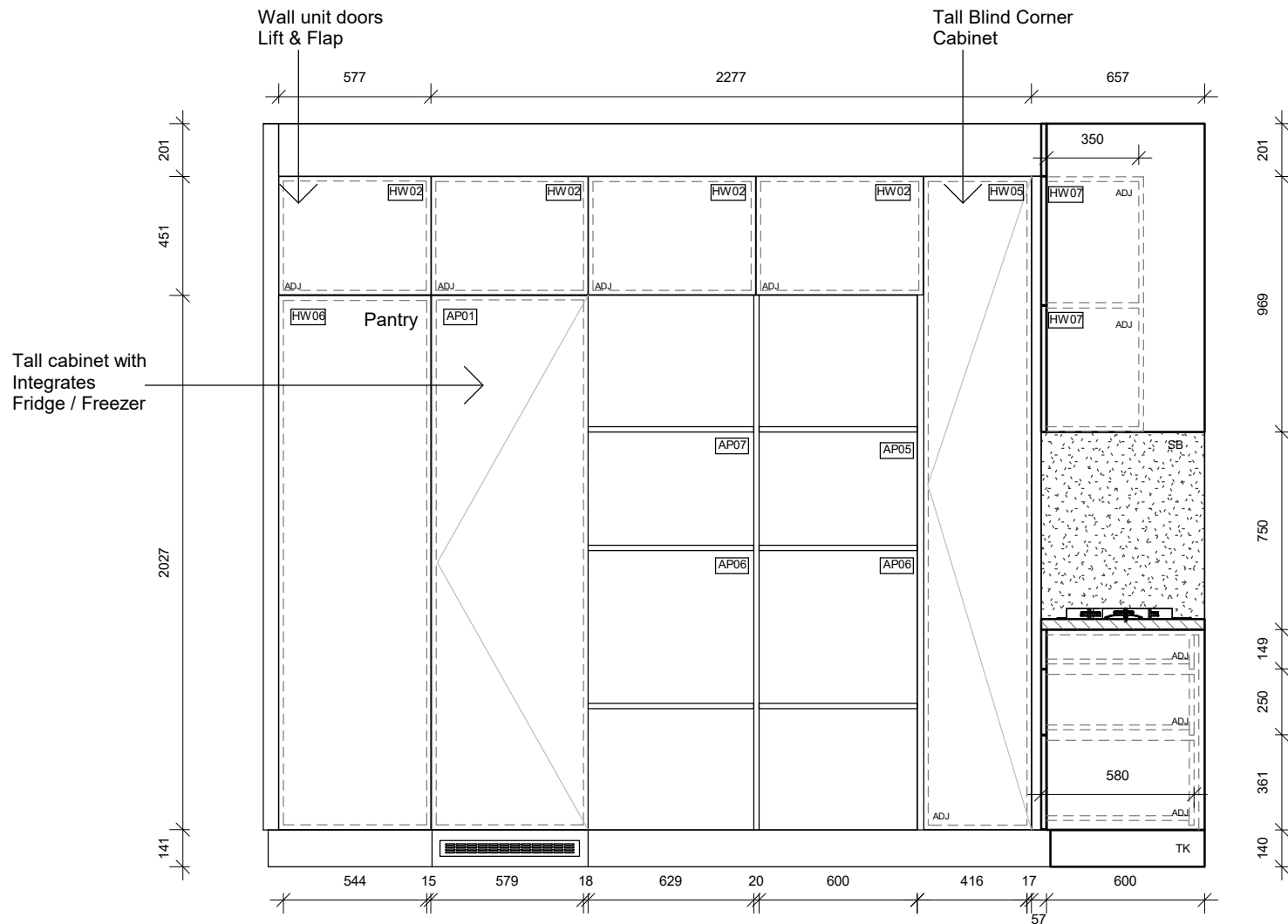
- AP01 Integrated Fridge/Freezer KFN 37692 IDE
- AP02 Rangehood PUM901X
- AP03 Cooktop GCTEK9020
- AP04 Dishwasher DWA6214
- AP05 Coffee Machine CMS4601NR
- AP06 Oven SFA604NR
- AP07 Micro. Oven SFA4603MCNR
- FU01 Synthetic Japanese Bamboo and Foliage
- FU02 Sling Square Metal Bar Stool, Solid Elm wood Cooper 80cm
- FX01 Zalo Double kitchen sink 855mm – Brushed Copper
- HW01 Hinges - Blum
- HW02 Lift & Flap System- Blum Aventos HF & HK
- HW03 Drawer System - Blum TANDEMBOX
- HW04 Push to open latch, handle-less, kitchen cabinet door
- HW05 Rev-A-Shelf Half-Moon Pivot & Slide for Blind Corner Cabinets
- HW06 Push-in / Pull-out Pantry - Adjustable Height - Internal Unit
- HW07 Bi-fold lift system - Blum AventosHF
- LI01 Copper Diamond wire cage Pendant light 38x38cm
- MA01 Oxford Matt MR E0
- MA02 White carcass 18mm
- MA03 White / Grey Marble benchtop & Splashback
- MA04 OSMO PolyX Semi matt Walnut Timber benchtops
- MA05 Rectified White Gloss Porcelain Floor Tile 600X600mm

Abbreviations

- AP Appliances
- BT Benchtop
- D Door
- EQ Equipment
- FU Furniture
- LI Lighting
- MA Material / Finish
- MDF Medium Density Fibreboard
- PB Plasterboard
- RCP Reflected Ceiling Plan
- SB Splashback
- SS Stainless Steel
- TK Toekicks
- W with

1 Kitchen Wall Cabinet
ELEVATION A 1:25 @A4

Revisions <table border="1"> <thead> <tr> <th>No</th> <th>Date</th> <th>Descriptions</th> <th>Ver App'd</th> </tr> </thead> <tbody> <tr> <td>01</td> <td>10.03.21</td> <td>DA DRAWINGS</td> <td>XX App'd</td> </tr> <tr> <td> </td> <td> </td> <td> </td> <td> </td> </tr> <tr> <td> </td> <td> </td> <td> </td> <td> </td> </tr> </tbody> </table>				No	Date	Descriptions	Ver App'd	01	10.03.21	DA DRAWINGS	XX App'd									Do not scale drawings. Use Figured Dimensions on Site Prior commencement of drawings or fabrication of components. This drawing is copyright and can not be reproduced without written consent.		Client haute kitchens [®] Australia		True North		Project Haute Kitchens Kitchen Sample Project number 21.001		Drawing Title Kitchen Wall Elevation A Drawing Status PRESENTATION DRAWINGS NOT FOR CONSTRUCTION		Scale 1:25 Date Issue Date		Drawing No A04 Drawn by LAGR		Issue 01	
No	Date	Descriptions	Ver App'd																																
01	10.03.21	DA DRAWINGS	XX App'd																																



LEGEND

Graphic Symbols

- White / Grey Marble
- Existing Structure
- Walnut Timber
- Rectified White Gloss Porcelain Floor Tile
- White / Grey Marble

Tag Legend

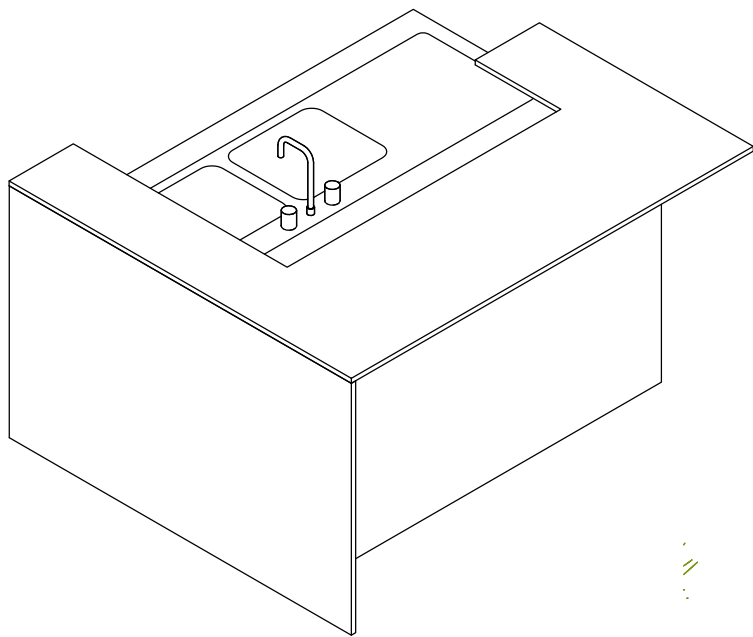
- AP01 Integrated Fridge/Freezer KFN 37692 iDE
- AP02 Rangehood PUM901X
- AP03 Cooktop GCTEK9020
- AP04 Dishwasher DWAFI6214
- AP05 Coffee Machine CMS4601NR
- AP06 Oven SFPA6604NR
- AP07 Micro. Oven SFA4603MCNR
- FU01 Synthetic Japanese Bamboo and Foliage
- FU02 Sling Square Metal Bar Stool, Solid Elm wood Cooper 80cm
- FX01 Zalo Double kitchen sink 855mm – Brushed Copper
- HW01 Hinges - Blum
- HW02 Lift & Flap System - Blum Aventos HF & HK
- HW03 Drawer System - Blum TANDEMBOX
- HW04 Push to open latch, handle-less, kitchen cabinet door
- HW05 Rev-A-Shelf Half-Moon Pivot & Slide for Blind Corner Cabinets
- HW06 Push-in / Pull-out Pantry - Adjustable Height - Internal Unit
- HW07 Bi-fold lift system - Blum AventosHF
- LI01 Copper Diamond wire cage Pendant light 38x38cm
- MA01 Oxford Matt MR E0
- MA02 White carcass 18mm
- MA03 White / Grey Marble benchtop & Splashback
- MA04 OSMO PolyX Semi matt Walnut Timber benchtops
- MA05 Rectified White Gloss Porcelain Floor Tile 600X600mm

Abbreviations

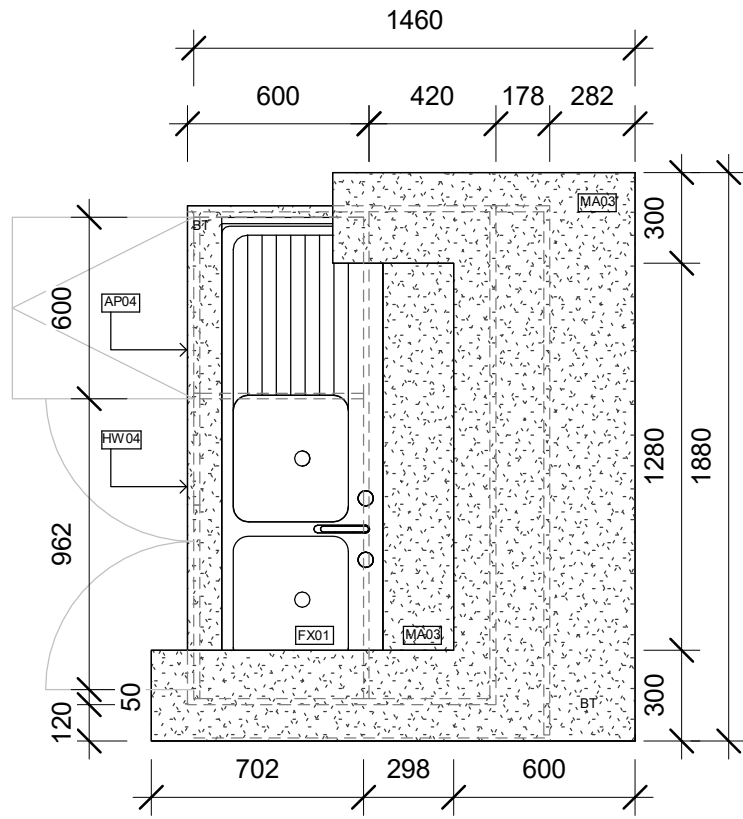
- AP Appliances
- BT Benchtop
- D Door
- EQ Equipment
- FU Furniture
- LI Lighting
- MA Material / Finish
- MDF Medium Density Fibreboard
- PB Plasterboard
- RCP Reflected Ceiling Plan
- SB Splashback
- SS Stainless Steel
- TK Toe-kicks
- W with

1 Kitchen Wall Cabinet
ELEVATION B 1:25 @A4

Revisions <table border="1"> <thead> <tr> <th>No</th> <th>Date</th> <th>Descriptions</th> <th>Ver App'd</th> </tr> </thead> <tbody> <tr> <td>01</td> <td>10.03.21</td> <td>DA DRAWINGS</td> <td>XX App'd</td> </tr> <tr> <td> </td> <td> </td> <td> </td> <td> </td> </tr> <tr> <td> </td> <td> </td> <td> </td> <td> </td> </tr> </tbody> </table>				No	Date	Descriptions	Ver App'd	01	10.03.21	DA DRAWINGS	XX App'd									Do not scale drawings. Use Figured Dimensions on Site Prior commencement of drawings or fabrication of components. This drawing is copyright and can not be reproduced without written consent.		Client haute kitchens Australia		True North		Project Haute Kitchens Kitchen Sample Project number 21.001		Drawing Title Kitchen Wall Elevation B Drawing Status PRESENTATION DRAWINGS NOT FOR CONSTRUCTION		Scale 1:25 Date Issue Date		Drawing No A05 Drawn by LAGR		Issue 01	
No	Date	Descriptions	Ver App'd																																
01	10.03.21	DA DRAWINGS	XX App'd																																



2 Kitchen Island
ISOMETRIC 1:25 @A4




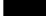



1 Kitchen Island
FLOOR PLAN 1:25 @A4

LEGEND	
Graphic Symbols	
	White / Grey Marble
	Existing Structure
	Walnut Timber
	Rectified White Gloss Porcelain Floor Tile
	White / Grey Marble
Tag Legend	
AP01	Integrated Fridge/Freezer KFN 37692 iDE
AP02	Rangehood PUM90 1X
AP03	Cooktop GCTEK9020
AP04	Dishwasher DWAFI6214
AP05	Coffee Machine CMS4601NR
AP06	Oven SFPA6604NR
AP07	Micro. Oven SFA4603MCNR
FU01	Synthetic Japanese Bamboo and Foliage
FU02	Sling Square Metal Bar Stool, Solid Elm wood Cooper 80cm
FX01	Zalo Double kitchen sink 855mm – Brushed Copper
HW01	Hinges - Blum
HW02	Lift & Flap System- Blum Aventos HF & HK
HW03	Drawer System - Blum TANDEMBOX
HW04	Push to open latch, handle-less, kitchen cabinet door
HW05	Rev-A-Shelf Half-Moon Pivot & Slide for Blind Corner Cabinets
HW06	Push-in / Pull-out Pantry - Adjustable Height - Internal Unit
HW07	Bi-fold lift system - Blum AventosHF
LI01	Copper Diamond wire cage Pendant light 38x38cm
MA01	Oxford Matt MR E0
MA02	White carcass 18mm
MA03	White / Grey Marble benchtop & Splashback
MA04	OSMO PolyX Semi matt Walnut Timber benchtops
MA05	Rectified White Gloss Porcelain Floor Tile 600X600mm
Abbreviations	
AP	Appliances
BT	Benchtop
D	Door
EQ	Equipment
FU	Furniture
LI	Lighting
MA	Material / Finish
MDF	Medium Density Fibreboard
PB	Plasterboard
RCP	Reflected Ceiling Plan
SB	Splashback
SS	Stainless Steel
TK	Toe-kicks
W	with

Revisions				Do not scale drawings. Use Figured Dimensions on Site Prior commencement of drawings or fabrication of components. This drawing is copyright and can not be reproduced without written consent.	Client haute kitchens Australia	True North	Project Haute Kitchens Kitchen Sample	Drawing Title Kitchen Island Floor Plan & Isometric	Scale 1:25	Drawing No A06	Issue 01
No	Date	Descriptions	Ver App'd								
01	10.03.21	DA DRAWINGS	XX App'd								
Project number 21.001								Drawing Status PRESENTATION DRAWINGS NOT FOR CONSTRUCTION		Date	Issue Date
										Drawn by	LAGR

LEGEND

Graphic Symbols

-  White / Grey Marble
-  Existing Structure
-  Walnut Timber
-  Rectified White Gloss Porcelain Floor Tile
-  White / Grey Marble

Tag Legend

- AP01 Integrated Fridge/Freezer KFN 37692 iDE
- AP02 Rangehood PUM901X
- AP03 Cooktop GCTEK9020
- AP04 Dishwasher DWAF16214
- AP05 Coffee Machine CMS4601NR
- AP06 Oven SFPA604NR
- AP07 Micro. Oven SFA4603MCNR

- FU01 Synthetic Japanese Bamboo and Foliage
- FU02 Sling Square Metal Bar Stool, Solid Elm wood Cooper 80cm
- FX01 Zato Double kitchen sink 855mm - Brushed Copper

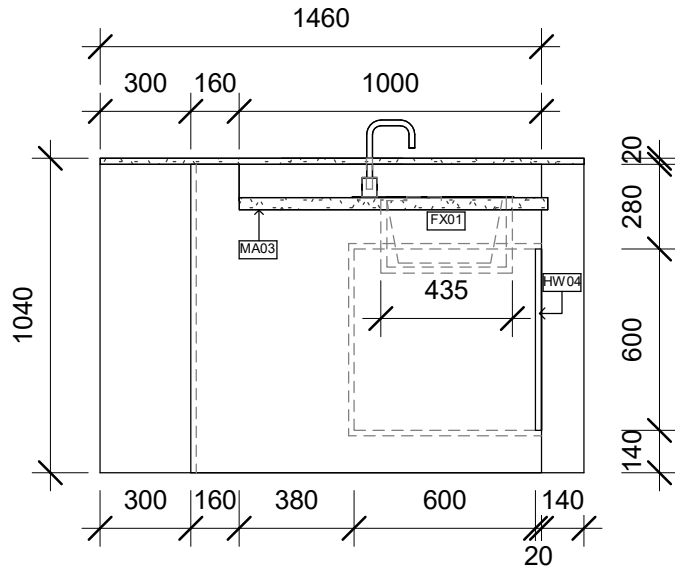
- HW01 Hinges - Blum
- HW02 Lift & Flap System- Blum Aventos HF & HK
- HW03 Drawer System - Blum TANDEMBOX
- HW04 Push to open latch, handle-less, kitchen cabinet door
- HW05 Rev-A-Shelf Half-Moon Pivot & Slide for Blind Corner Cabinets
- HW06 Push-in / Pull-out Pantry - Adjustable Height - Internal Unit
- HW07 Bi-fold lift system - Blum AventosHF

- LI01 Copper Diamond wire cage Pendant light 38x38cm

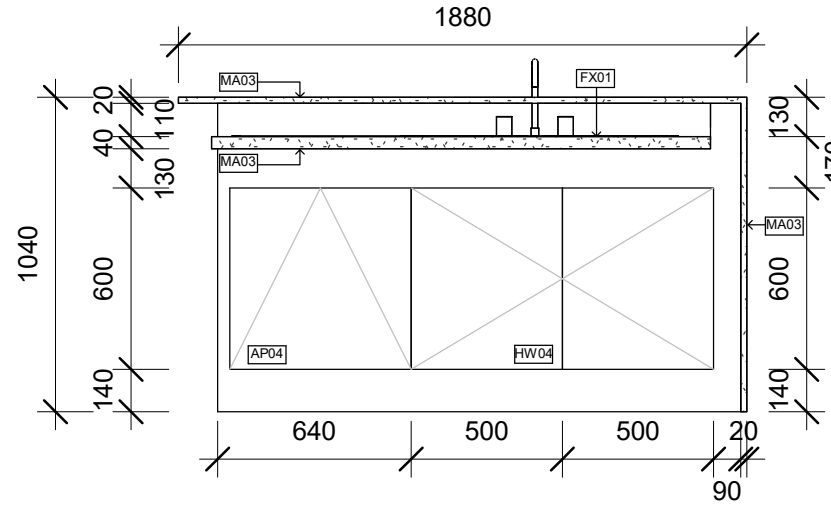
- MA01 Oxford Matt MR E0
- MA02 White carcass 18mm
- MA03 White / Grey Marble benchtop & Splashback
- MA04 OSMO PolyX Semi matt Walnut Timber benchtops
- MA05 Rectified White Gloss Porcelain Floor Tile 600X600mm

Abbreviations

- AP Appliances
- BT Benchtop
- D Door
- EQ Equipment
- FU Furniture
- LI Lighting
- MA Material / Finish
- MDF Medium Density Fibreboard
- PB Plasterboard
- RCP Reflected Ceiling Plan
- SB Splashback
- SS Stainless Steel
- TK Toe-kicks
- W with



2 Kitchen Island Elevation 2
ELEVATION D 1:25 @A4



1 Kitchen Island
ELEVATION C 1:25 @A4

Revisions			
No	Date	Descriptions	Ver App'd
01	10.03.21	DA DRAWINGS	XX App'd

Do not scale drawings. Use Figured Dimensions on Site Prior commencement of drawings or fabrication of components. This drawing is copyright and can not be reproduced without written consent.

Client

haute kitchens[®]
Australia

True North

Project
Haute Kitchens Kitchen Sample

Project number
21.001


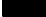



Drawing Title
Kitchen Island Bench Elevation C & D

Drawing Status
PRESENTATION DRAWINGS
NOT FOR CONSTRUCTION

Scale	Drawing No	Issue
1:25	A07	01
Date	Issue Date	
Drawn by	LAGR	

LEGEND

Graphic Symbols

-  White / Grey Marble
-  Existing Structure
-  Walnut Timber
-  Rectified White Gloss Porcelain Floor Tile
-  White / Grey Marble

Tag Legend

- AP01 Integrated Fridge/Freezer KFN 37692 IDE
- AP02 Rangehood PUM901X
- AP03 Cooktop GCTEK9020
- AP04 Dishwasher DWAFI6214
- AP05 Coffee Machine CMS4601NR
- AP06 Oven SFPA6604NR
- AP07 Micro. Oven SFA4603MCNR

- FU01 Synthetic Japanese Bamboo and Foliage
- FU02 Sling Square Metal Bar Stool, Solid Elm wood Cooper 80cm
- FX01 Zalo Double kitchen sink 855mm – Brushed Copper

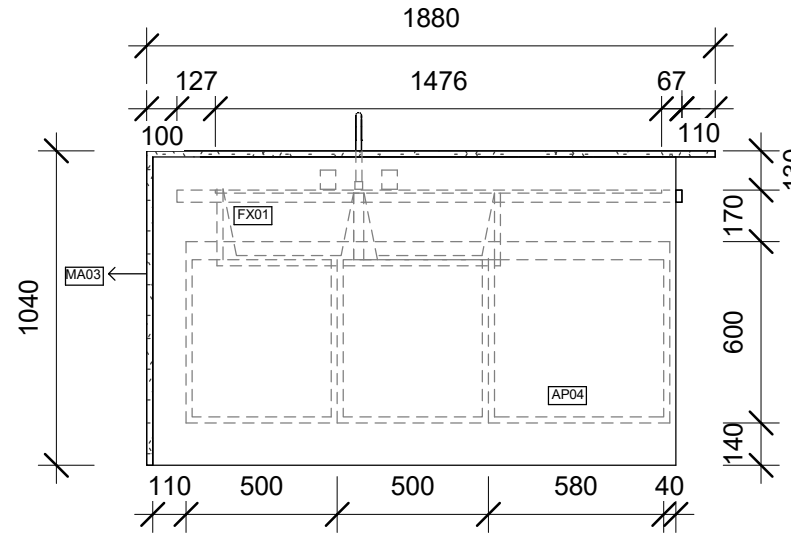
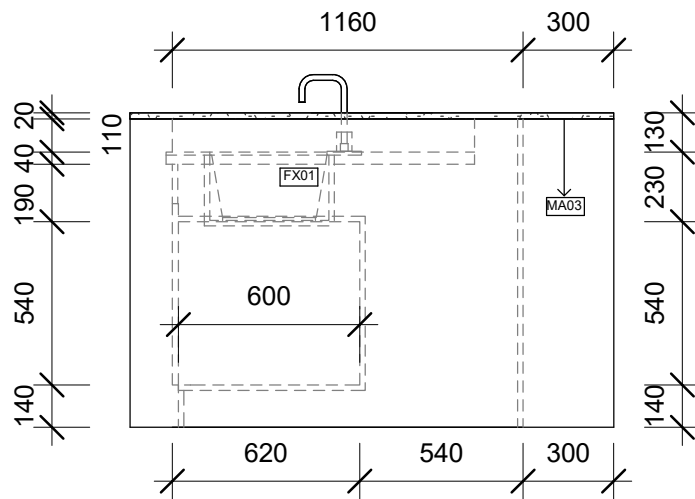
- HW01 Hinges - Blum
- HW02 Lift & Flap System- Blum Aventos HF & HK
- HW03 Drawer System - Blum TANDEMBOX
- HW04 Push to open latch, handle-less, kitchen cabinet door
- HW05 Rev-A-Shelf Half-Moon Pivot & Slide for Blind Corner Cabinets
- HW06 Push-in / Pull-out Pantry - Adjustable Height - Internal Unit
- HW07 Bi-fold lift system - Blum AventosHF

- LI01 Copper Diamond wire cage Pendant light 38x38cm

- MA01 Oxford Matt MR E0
- MA02 White carcass 18mm
- MA03 White / Grey Marble benchtop & Splashback
- MA04 OSMO PolyX Semi matt Walnut Timber benchtops
- MA05 Rectified White Gloss Porcelain Floor Tile 600X600mm

Abbreviations

- AP Appliances
- BT Benchtop
- D Door
- EQ Equipment
- FU Furniture
- LI Lighting
- MA Material / Finish
- MDF Medium Density Fibreboard
- PB Plasterboard
- RCP Reflected Ceiling Plan
- SB Splashback
- SS Stainless Steel
- TK Toe-kicks
- W with



2 Kitchen Island
ELEVATION F 1:25 @A4

1 Kitchen Island
ELEVATION E 1:25 @A4

Revisions				Do not scale drawings. Use Figured Dimensions on Site Prior commencement of drawings or fabrication of components. This drawing is copyright and can not be reproduced without written consent.	Client haute kitchens [®] Australia	True North	Project Haute Kitchens Kitchen Sample Project number 21.001	Drawing Title Kitchen Island Bench Elevation E & F Drawing Status PRESENTATION DRAWINGS NOT FOR CONSTRUCTION	Scale	Drawing No	Issue
No	Date	Descriptions	Ver App'd						1:25	A08	01
01	10.03.21	DA DRAWINGS	XX App'd						Date	Issue Date	
									Drawn by	LAGR	

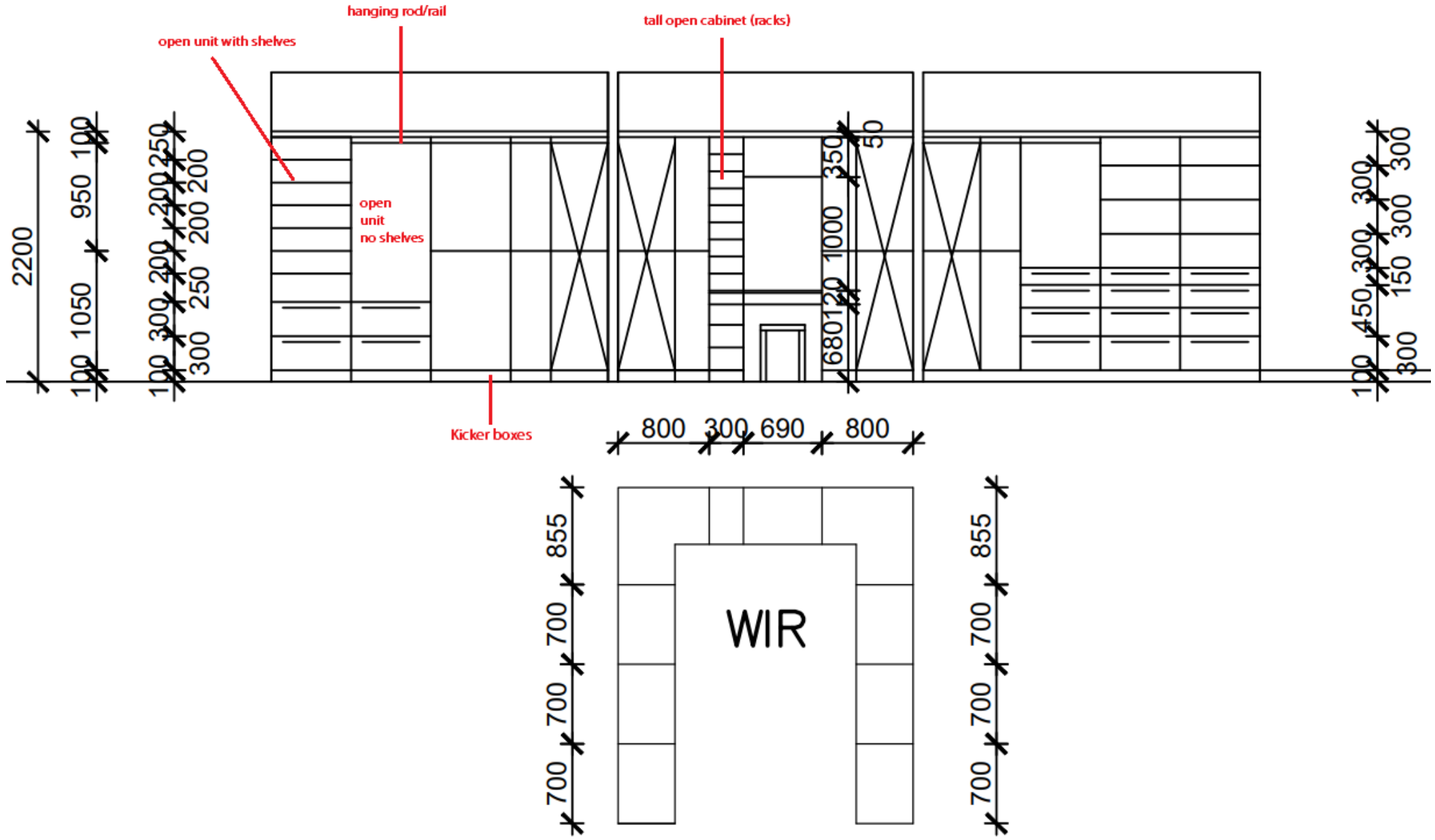
concept board











proposed changes

Full body mirror

Extra large hanging space for clothes

Shoe racks for corners

Two jewelers

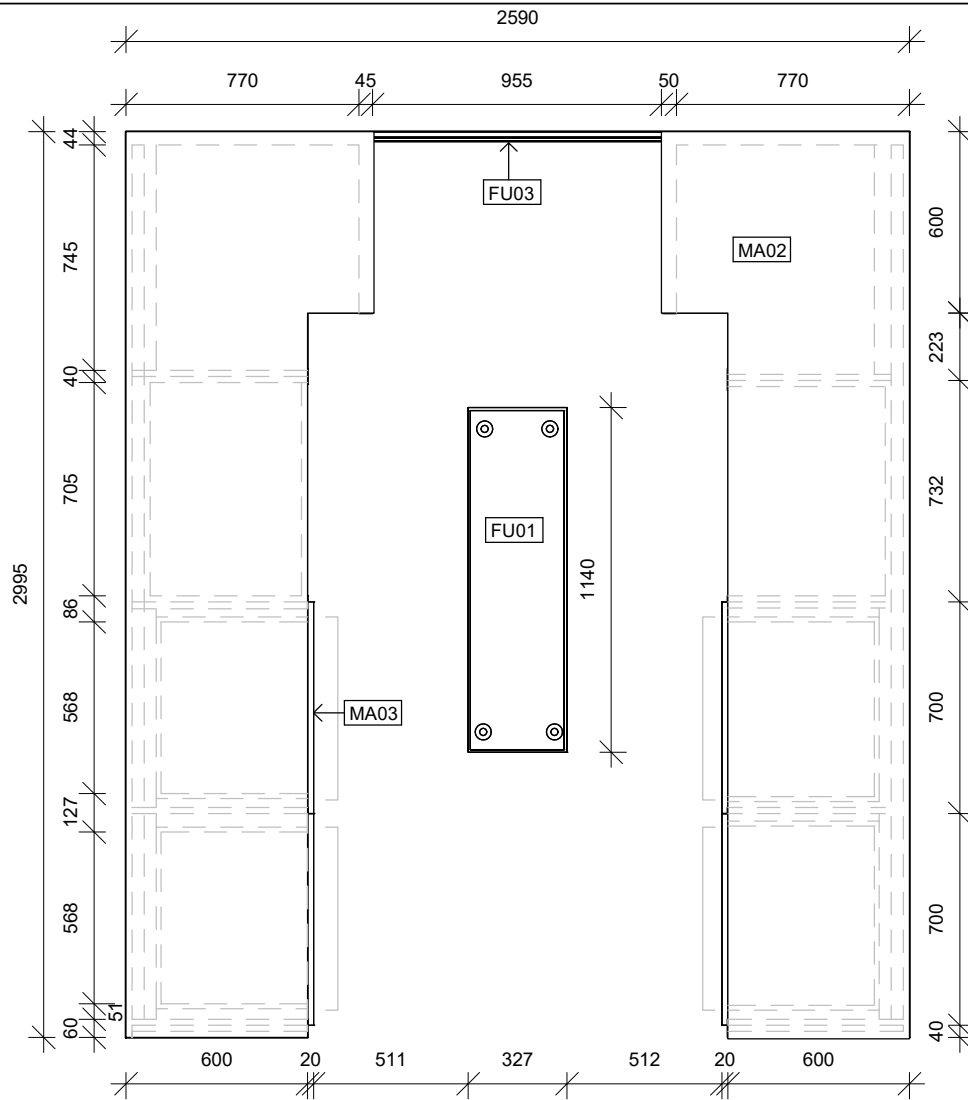
Timber Oak / White Venner combination

Fillers added

Overhead wide storage

ELSIE Rectangle Fbric/Leader Storage Ottoman

Laundry Basket



LEGEND

Graphic Symbols

- Film face birch plywood white
- Existing Structure
- Oak Timber
- Stainless Steel

Tag Legend

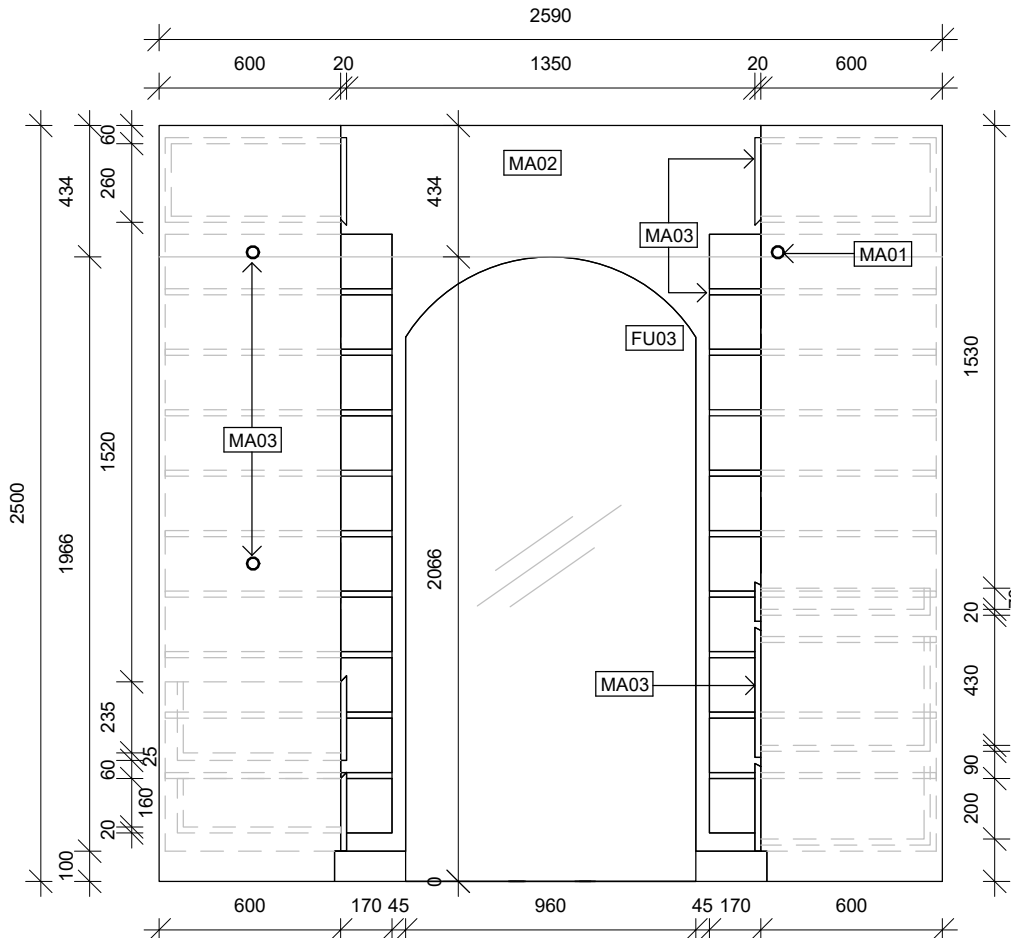
- FU01 Emily Upholstered Storage Ottoman
- FU02 Home Republic Knotted Natural Laundry Basket
- FU03 Mary Arch Full-body Mirror
- HW01 Hinges - Blum
- HW02 Lift & Flap System- Blum Aventos HF & HK
- HW03 Drawer System - Blum TANDEMBOX
- HW04 19MM STAINLESS STEEL ROD
- LI01 Compact Disk - Lighting Recessed Light Compact Fluorescent Lamp LED
- MA01 Opaque stainless steel
- MA02 Film face birch plywood White
- MA03 Polytec Antico Oak Woodmatt

Abbreviations

- AP Appliances
- BT Benchtop
- D Door
- EQ Equipment
- FU Furniture
- LI Lighting
- MA Material / Finish
- MDF Medium Density Fibreboard
- PB Plasterboard
- RCP Reflected Ceiling Plan
- SB Splashback
- SS Stainless Steel
- TK Toekicks
- W with

1 WIR
FLOOR PLAN 1:25 @A4

Revisions <table border="1"> <thead> <tr> <th>No</th> <th>Date</th> <th>Descriptions</th> <th>Ver App'd</th> </tr> </thead> <tbody> <tr> <td>01</td> <td>10.03.21</td> <td>DA DRAWINGS</td> <td>XX App'd</td> </tr> <tr> <td> </td> <td> </td> <td> </td> <td> </td> </tr> <tr> <td> </td> <td> </td> <td> </td> <td> </td> </tr> </tbody> </table>				No	Date	Descriptions	Ver App'd	01	10.03.21	DA DRAWINGS	XX App'd									Do not scale drawings. Use Figured Dimensions on Site Prior commencement of drawings or fabrication of components. This drawing is copyright and can not be reproduced without written consent.		Client haute kitchens[®] Australia		True North		Project Haute Kitchens Kitchen Sample Project number 21.001		Drawing Title WIR Floor Plan Drawing Status PRESENTATION DRAWINGS NOT FOR CONSTRUCTION		Scale 1:25 Date Issue Date Drawn by LAGR		Drawing No A101 Issue 01	
No	Date	Descriptions	Ver App'd																														
01	10.03.21	DA DRAWINGS	XX App'd																														



LEGEND

Graphic Symbols

- Film face birch plywood white
- Existing Structure
- Oak Timber
- Stainless Steel

Tag Legend

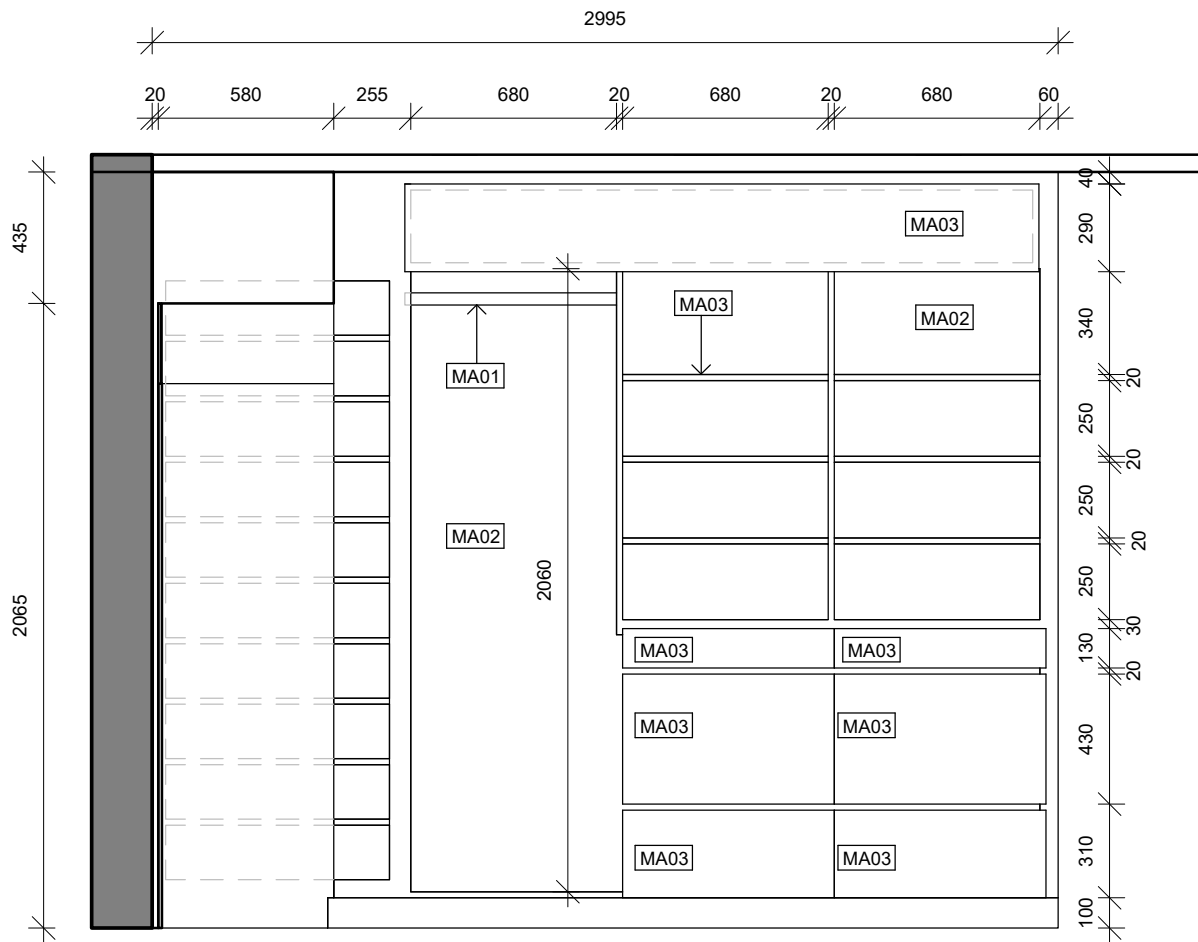
- FU01 Emily Upholstered Storage Ottoman
- FU02 Home Republic Knotted Natural Laundry Basket
- FU03 Mary Arch Full-body Mirror
- HW01 Hinges - Blum
- HW02 Lift & Flap System- Blum Aventos HF & HK
- HW03 Drawer System - Blum TANDEMBOX
- HW04 19MM STAINLESS STEEL ROD
- LI01 Compact Disk - Lighting Recessed Light
Compact Fluorescent Lamp LED
- MA01 Opaque stainless steel
- MA02 Film face birch plywood White
- MA03 Polytec Antico Oak Woodmatt

Abbreviations

- AP Appliances
- BT Benchtop
- D Door
- EQ Equipment
- FU Furniture
- LI Lighting
- MA Material / Finish
- MDF Medium Density Fibreboard
- PB Plasterboard
- RCP Reflected Ceiling Plan
- SB Splashback
- SS Stainless Steel
- TK Toe-kicks
- W with

1 WIR
ELEVATION A 1:25 @A4

<p>Revisions</p> <table border="1" style="width: 100%; border-collapse: collapse;"> <thead> <tr> <th>No</th> <th>Date</th> <th>Descriptions</th> <th>Ver App'd</th> </tr> </thead> <tbody> <tr> <td>01</td> <td>10.03.21</td> <td>DA DRAWINGS</td> <td>XX App'd</td> </tr> <tr> <td> </td> <td> </td> <td> </td> <td> </td> </tr> <tr> <td> </td> <td> </td> <td> </td> <td> </td> </tr> </tbody> </table>	No	Date	Descriptions	Ver App'd	01	10.03.21	DA DRAWINGS	XX App'd									<p>Do not scale drawings. Use Figured Dimensions on Site Prior commencement of drawings or fabrication of components. This drawing is copyright and can not be reproduced without written consent.</p>	<p>Client</p> <p>haute kitchens[®] Australia</p>	<p>True North</p>	<p>Project Haute Kitchens Kitchen Sample</p> <p>Project number 21.001</p>	<p>Drawing Title</p> <p>WIR Elevation A</p> <p>Drawing Status PRESENTATION DRAWINGS NOT FOR CONSTRUCTION</p>	<p>Scale 1:25</p> <p>Date</p> <p>Drawn by LAGR</p>	<p>Drawing No A103</p> <p>Issue Date</p> <p>Issue 01</p>
No	Date	Descriptions	Ver App'd																				
01	10.03.21	DA DRAWINGS	XX App'd																				



LEGEND

Graphic Symbols

- Film face birch plywood white
- Existing Structure
- Oak Timber
- Stainless Steel

Tag Legend

- FU01 Emily Upholstered Storage Ottoman
- FU02 Home Republic Knotted Natural Laundry Basket
- FU03 Mary Arch Full-body Mirror
- HW01 Hinges - Blum
- HW02 Lift & Flap System- Blum Aventos HF & HK
- HW03 Drawer System - Blum TANDEMBOX
- HW04 19MM STAINLESS STEEL ROD
- LI01 Compact Disk - Lighting Recessed Light
Compact Fluorescent Lamp LED
- MA01 Opaque stainless steel
- MA02 Film face birch plywood White
- MA03 Polytec Antico Oak Woodmatt

Abbreviations

- AP Appliances
- BT Benchtop
- D Door
- EQ Equipment
- FU Furniture
- LI Lighting
- MA Material / Finish
- MDF Medium Density Fibreboard
- PB Plasterboard
- RCP Reflected Ceiling Plan
- SB Splashback
- SS Stainless Steel
- TK Toekicks
- W with

1 WIR
ELEVATION C 1:25 @A4

Revisions				Do not scale drawings. Use Figured Dimensions on Site Prior commencement of drawings or fabrication of components. This drawing is copyright and can not be reproduced without written consent.	Client haute kitchens[®] Australia	True North	Project Haute Kitchens Kitchen Sample Project number 21.001	Drawing Title WIR Elevation C Drawing Status PRESENTATION DRAWINGS NOT FOR CONSTRUCTION	Scale	Drawing No	Issue
No	Date	Descriptions	Ver App'd						1:25	A105	01
01	10.03.21	DA DRAWINGS	XX App'd						Date	Issue Date	
									Drawn by	LAGR	

concept board







